

REMER

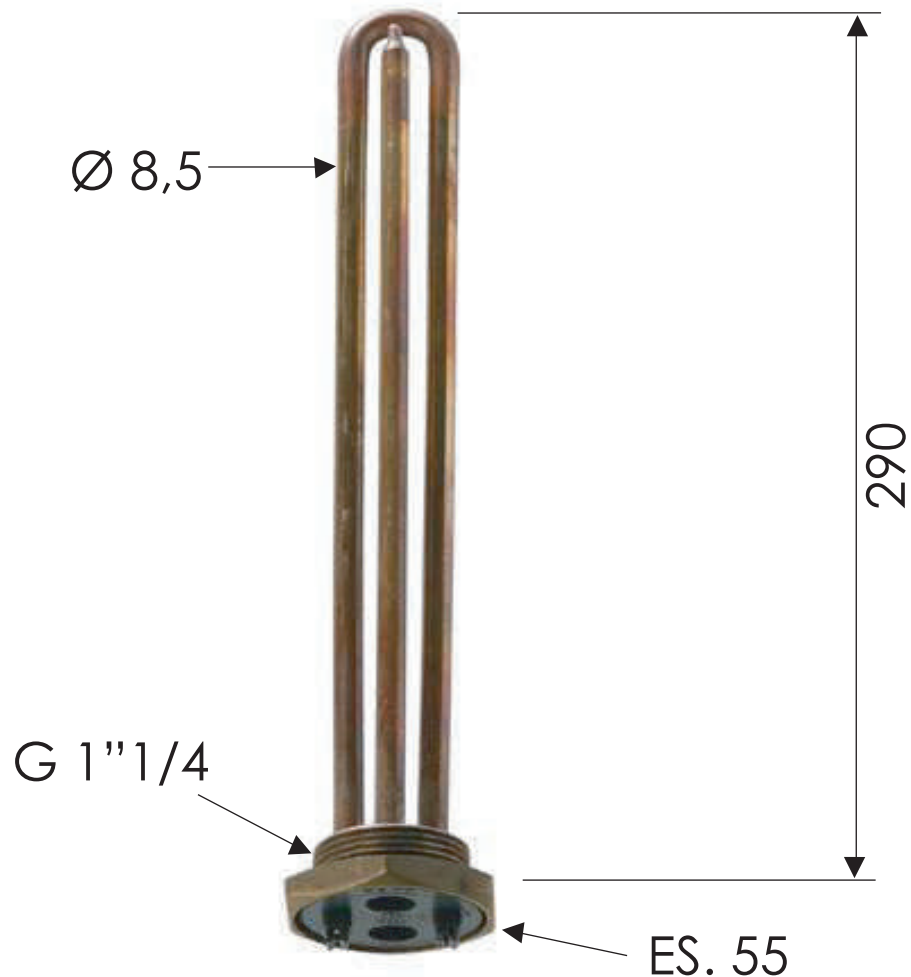
RUBINETTERIE

SCHEDA TECNICA

TECHNICAL FEATURES

ART. COD.

1111



RESISTENZA DIRITTA
STRAIGHT HEATING ELEMENT

POTENZA / POWER
1200 W - VOLT 220

MATERIALI / MATERIALS

OTTONE / BRASS
RAME / COPPER

Via Leonardo da Vinci 83 - 20062 Cassano d'Adda (MI) Italy - Tel. +39-0363 364211

info@remer.eu www.remer.eu