

# REMER

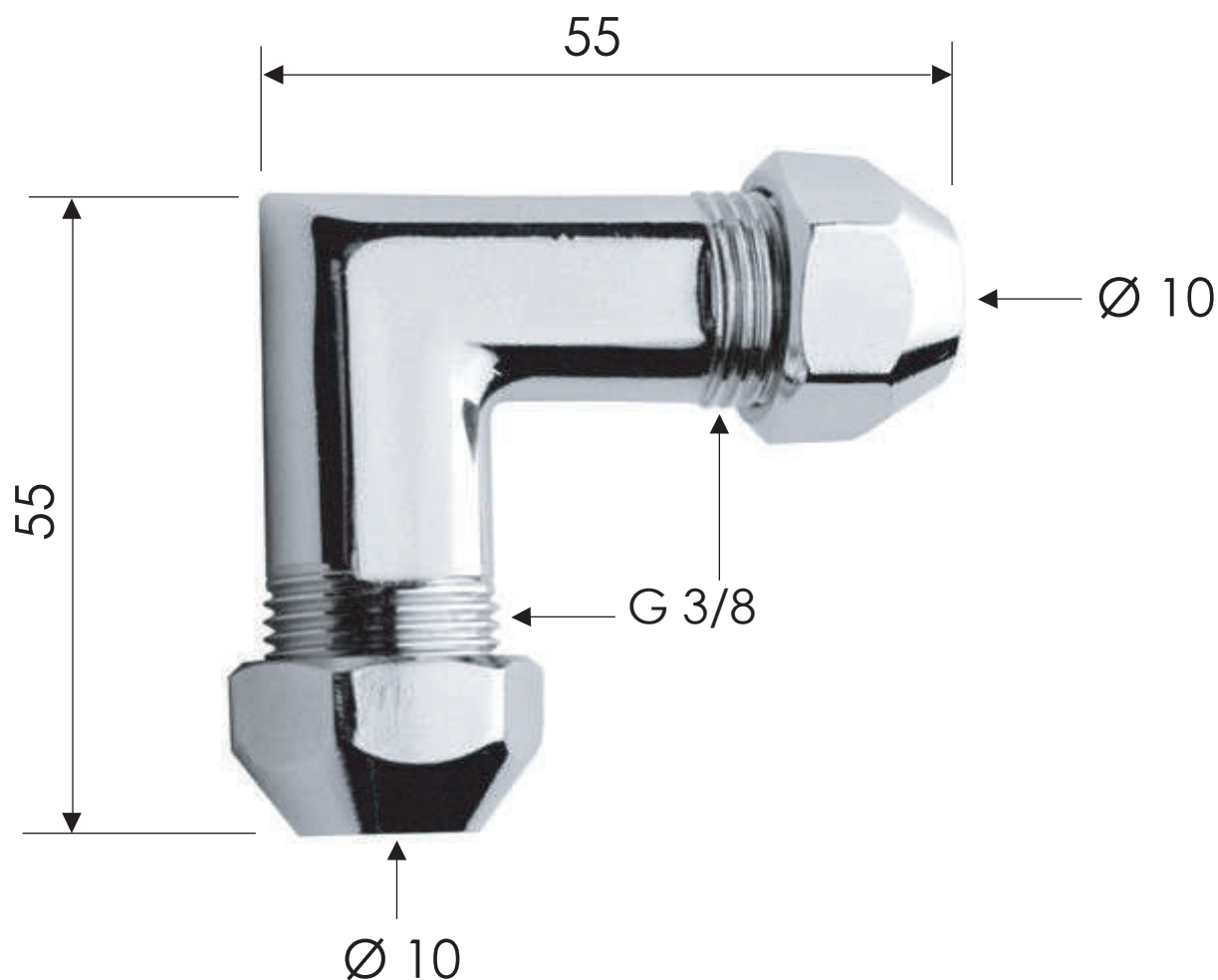
RUBINETTERIE

SCHEDA TECNICA

TECHNICAL FEATURES

ART. COD.

**1261010**



## MATERIALI / MATERIALS

OTTONE / BRASS

CW617N

UNI EN 12165

GUARNIZIONI / GASKETS

NBR

FILETTATURE / THREADS

UNI ISO 228/1

CROMATURA / CHROME PLATING

EN 248

## CROMATURA / CHROME PLATING

UNI EN 248

Via Leonardo da Vinci 83 - 20062 Cassano d'Adda (MI) Italy - Tel. +39-0363 364211

[info@remer.eu](mailto:info@remer.eu)

[www.remer.eu](http://www.remer.eu)