

REMER

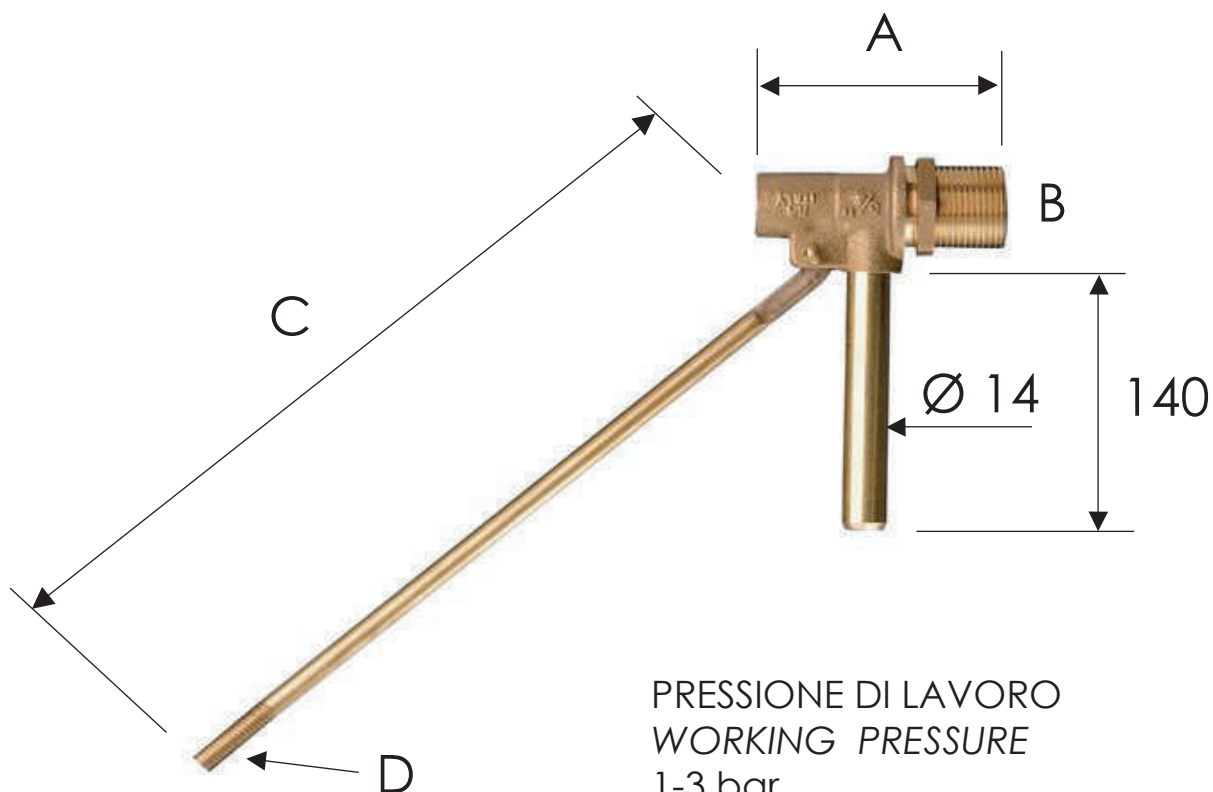
RUBINETTERIE

SCHEDA TECNICA

TECHNICAL FEATURES

ART. COD.

175



PRESSIONE DI LAVORO
WORKING PRESSURE
1-3 bar

SIZE	A	B	C	D
1/2"	70	1/2"	250	5/16"
3/4"	70	3/4"	250	5/16"
1"	85	1"	250	5/16"

MATERIALI / MATERIALS

OTTONE GIALLO / YELLOW BRASS

Via Leonardo da Vinci 83 - 20062 Cassano d'Adda (MI) Italy - Tel. +39-0363 364211

info@remer.eu www.remer.eu