

REMER

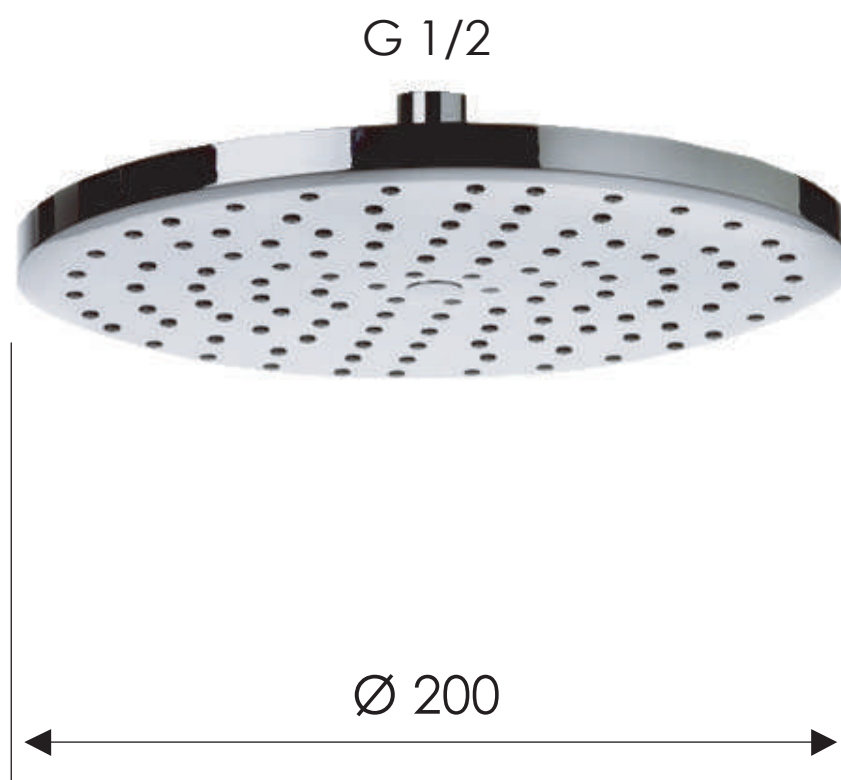
RUBINETTERIE

SCHEDA TECNICA

ART. COD.

TECHNICAL FEATURES

356MD20X



P MAX = 5 bar

MATERIALI / MATERIALS

ABS CROMATO / CHROME PLATED ABS

CROMATURA / CHROME PLATING

UNI EN 248

Via Leonardo da Vinci 83 - 20062 Cassano d'Adda (MI) Italy - Tel. +39-0363 364211

info@remer.eu www.remer.eu