

# REMER

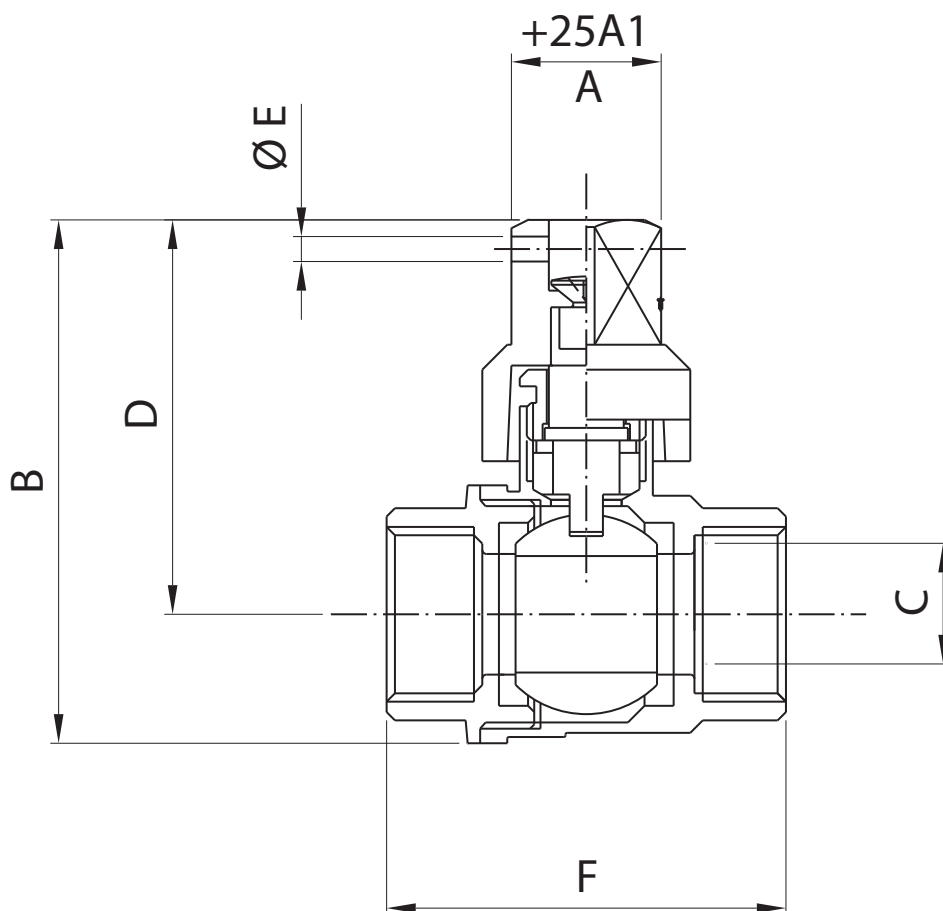
SCHEDA TECNICA

TECHNICAL FEATURES

RUBINETTERIE

ART. COD.

**373FF**



	A	B	C	D	E	F	G
1/2"	14	63	14	47	32	48	

## MATERIALI / MATERIALS

CW617N - CW614N UNI EN 12165  
OTTONE NICHELATO / NICKEL PLATED BRASS

Via Leonardo da Vinci 83 - 20062 Cassano d'Adda (MI) Italy - Tel. +39-0363 364211

[info@remer.eu](mailto:info@remer.eu) [www.remer.eu](http://www.remer.eu)