

REMER

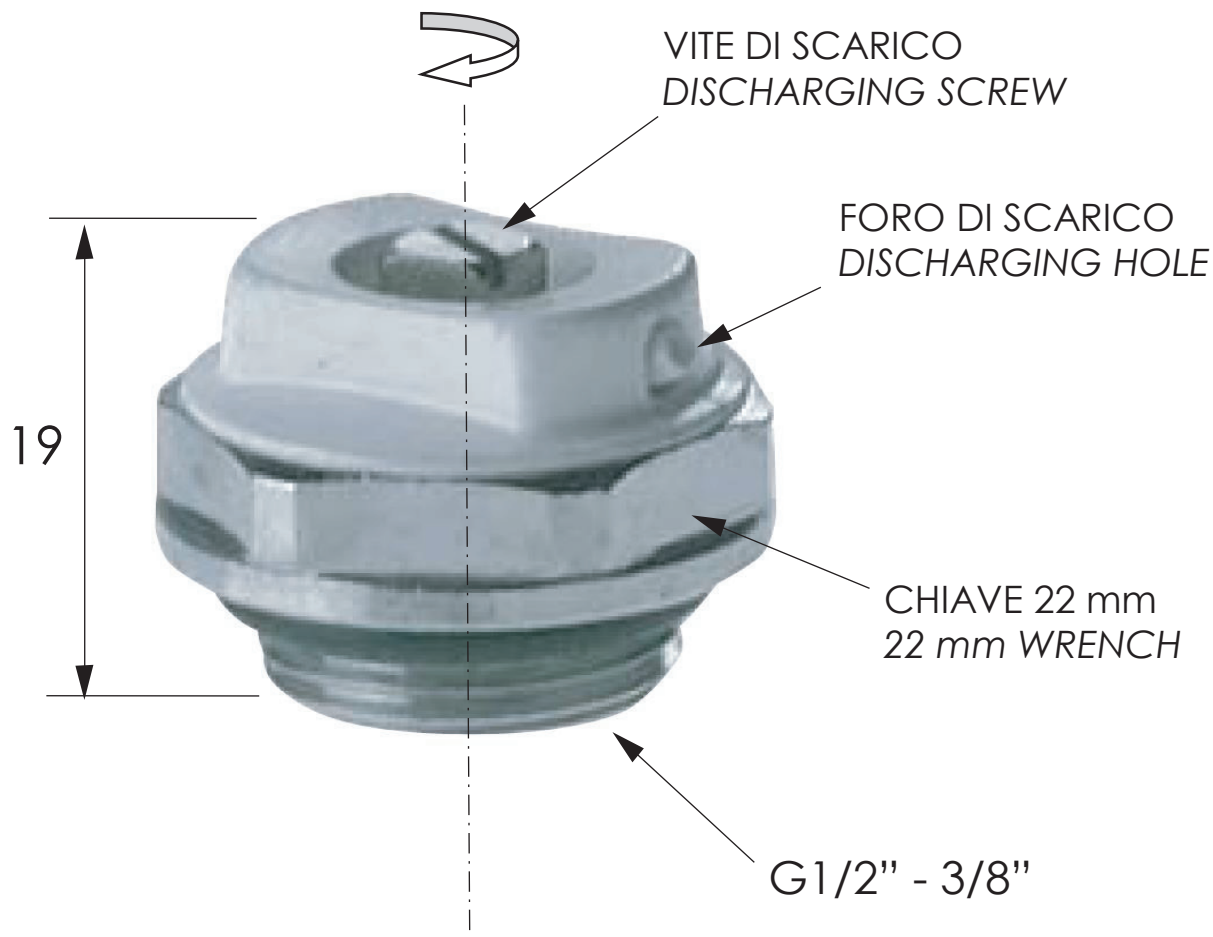
RUBINETTERIE

SCHEDA TECNICA

TECHNICAL FEATURES

ART. COD.

431



MATERIALI / MATERIALS

Corpo / Body: OTTONE NICHELATO / NICKEL PLATED BRASS

Inserto / Insert: NYLON PA 6

CROMATURA / CHROME PLATING

UNI EN 248

Via Leonardo da Vinci 83 - 20062 Cassano d'Adda (MI) Italy - Tel. +39-0363 364211

info@remer.eu

www.remer.eu