

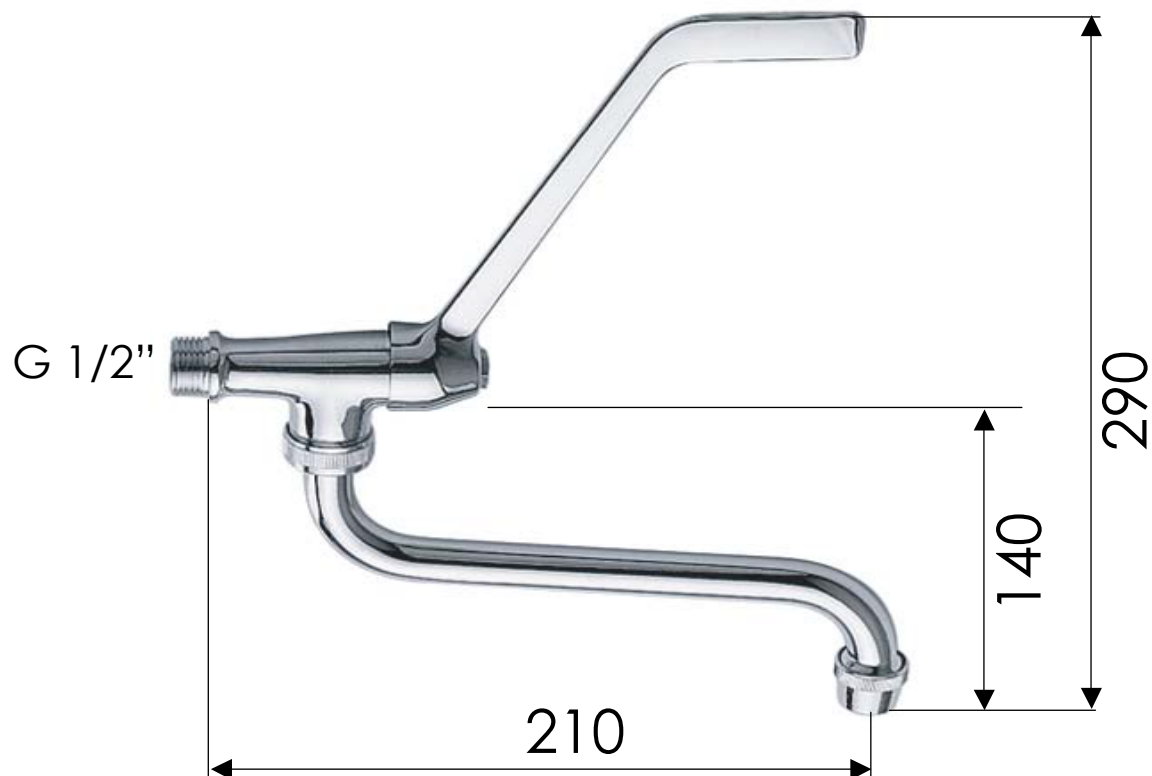
REMER

RUBINETTERIE

SCHEDA TECNICA TECHNICAL FEATURES

ART. COD.

63



PRESSIONE / PRESSURE	1	2	3	4	5	bar
PORTATA / FLOW RATE	13	16	17,8	19,2	21,8	l/min

MATERIALI / MATERIALS

OTTONE CROMATO / CHROME PLATED BRASS

CROMATURA / CHROME PLATING

UNI EN 248

Via Leonardo da Vinci 83 - 20062 Cassano d'Adda (MI) Italy - Tel. +39-0363 364211

info@remer.eu www.remer.eu