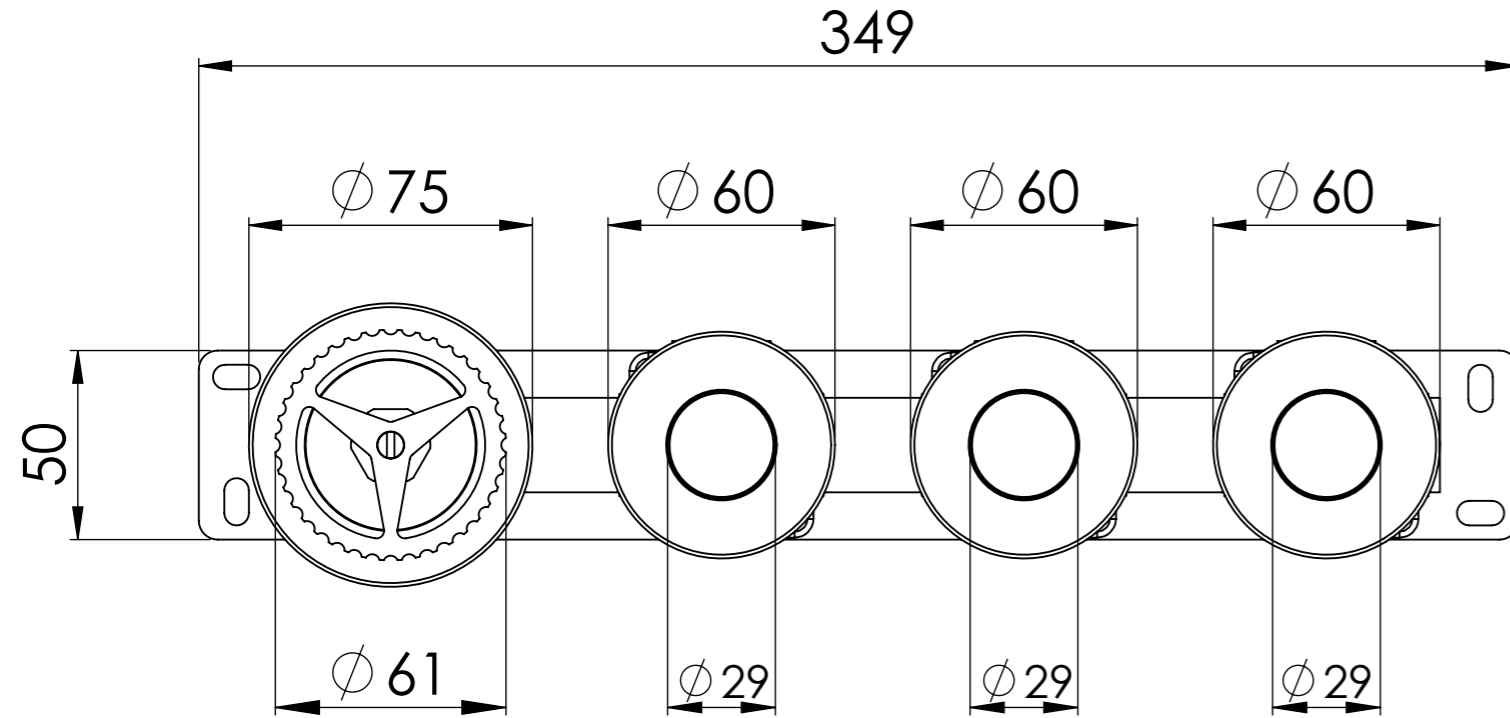


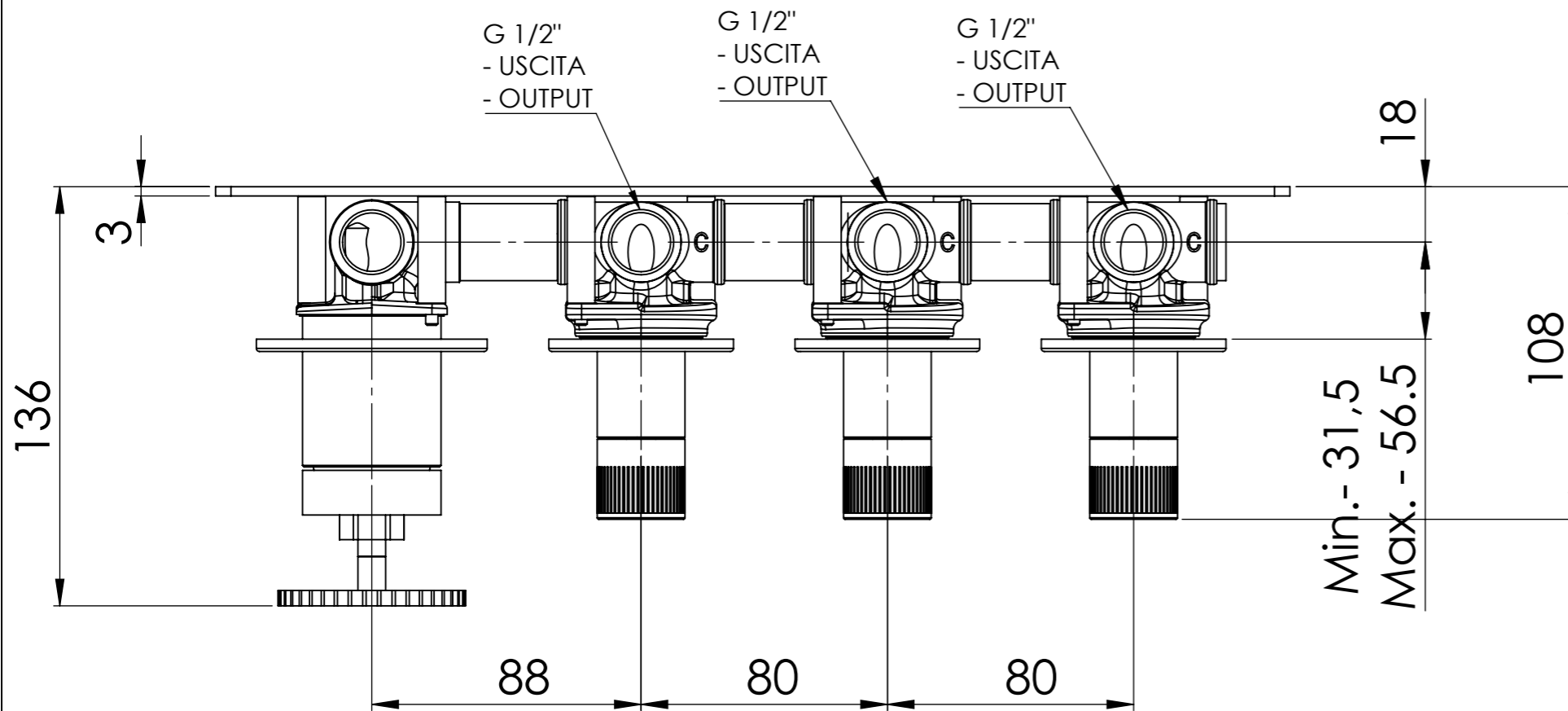
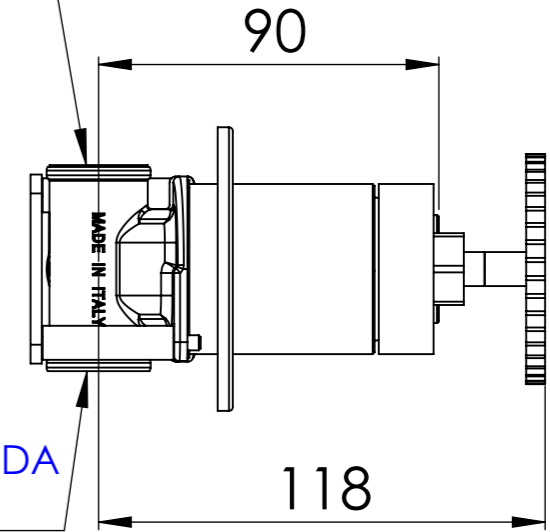
Descrizione: MISC. MONOC INCASSO 3 VIE con CARTUCCIA PROGRESSIVA E VTONI CERAMICI SU 3 PIASTRE TONDE

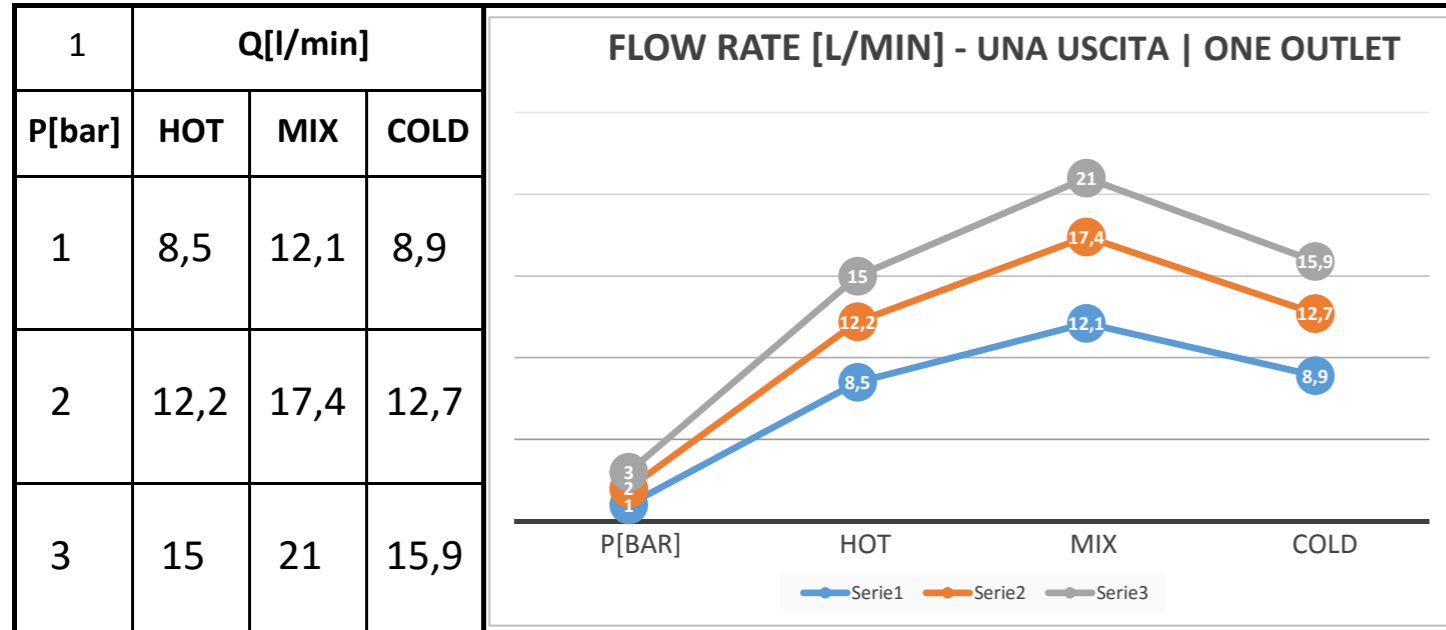
Description: 3-WAY BUILT-IN SINGLE MIXER WITH PROGRESSIVE CARTRIDGE AND CERAMIC VALVES ON 3 ROUND PLATES



G 1/2"  
- INGRESSO ACQUA CALDA  
- HOT WATER INLET

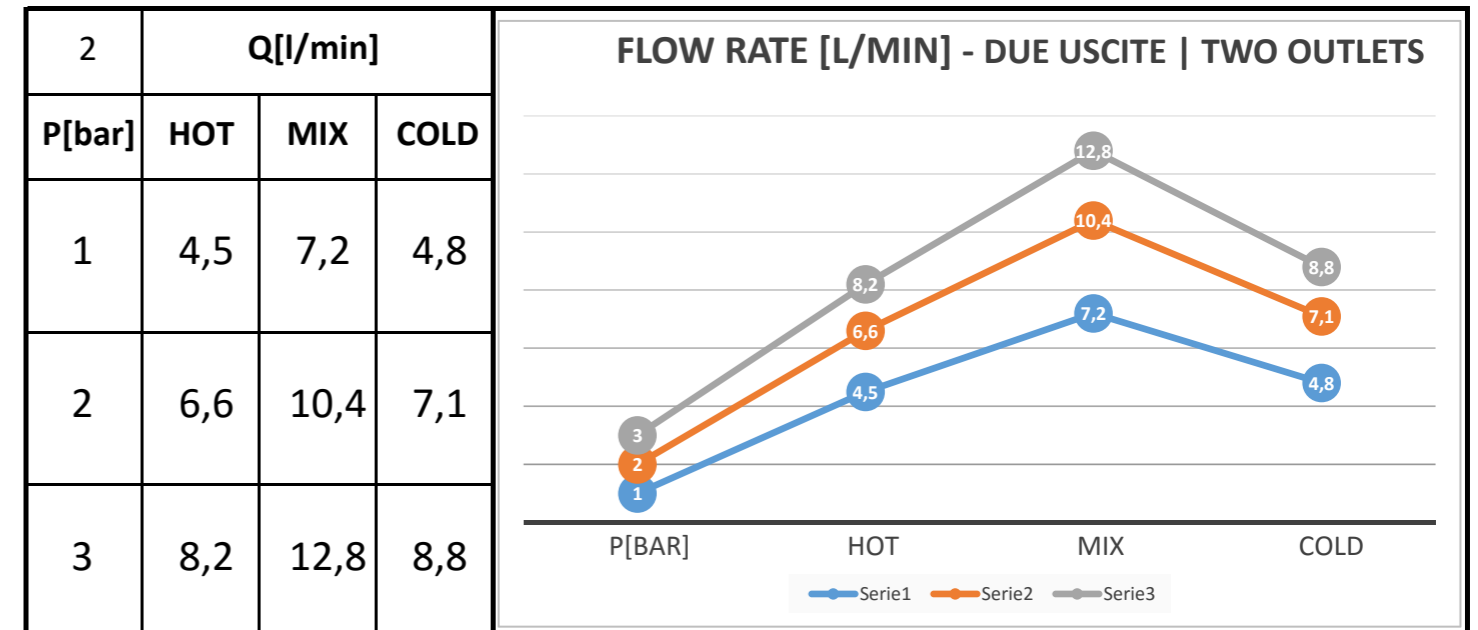
G 1/2"  
- INGRESSO ACQUA FREDDA  
- COLD WATER INLET





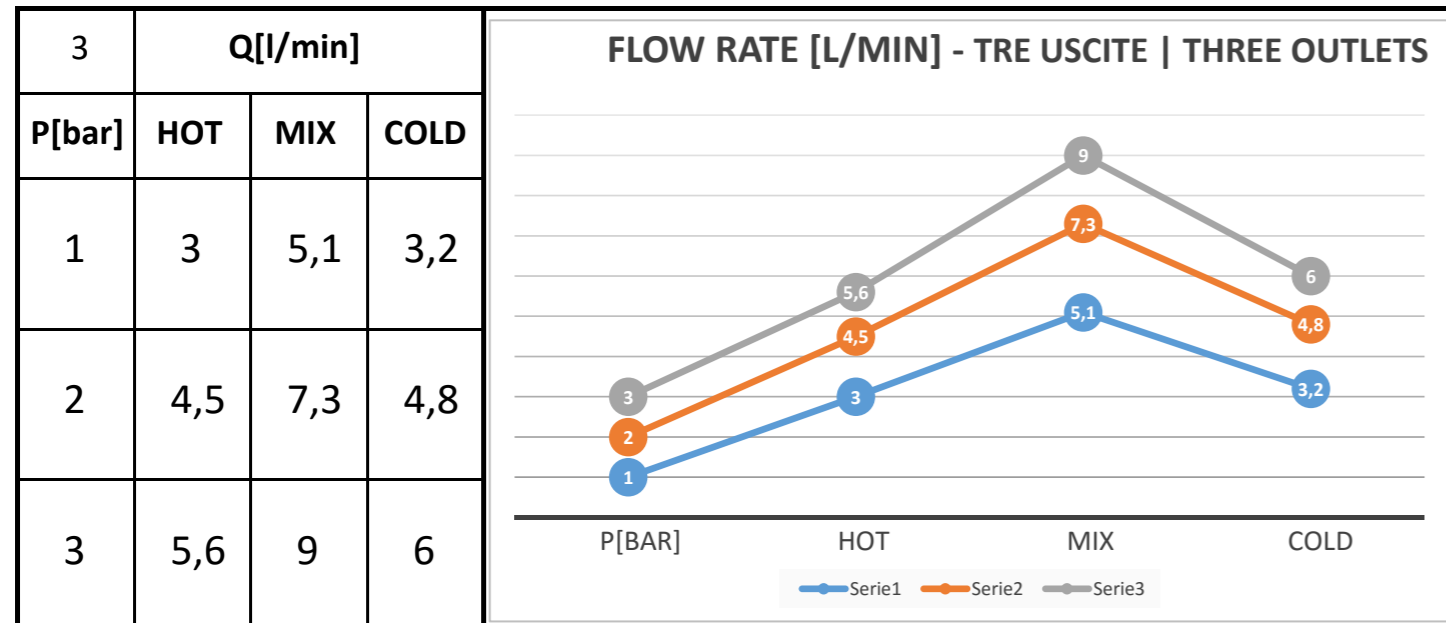
Test effettuato con una sola uscita in scarico libero

The test was carried out with one free discharge outlet



Portate riferite alle singole uscite. Test effettuato con due uscite aperte contemporaneamente in scarico libero

Flow rates referring to individual outlets. The test was carried out with two free discharge outlets



Portate riferite alle singole uscite. Test effettuato con tre uscite aperte contemporaneamente in scarico libero

Flow rates referring to individual outlets. The test was carried out with three free discharge outlets