

REMER

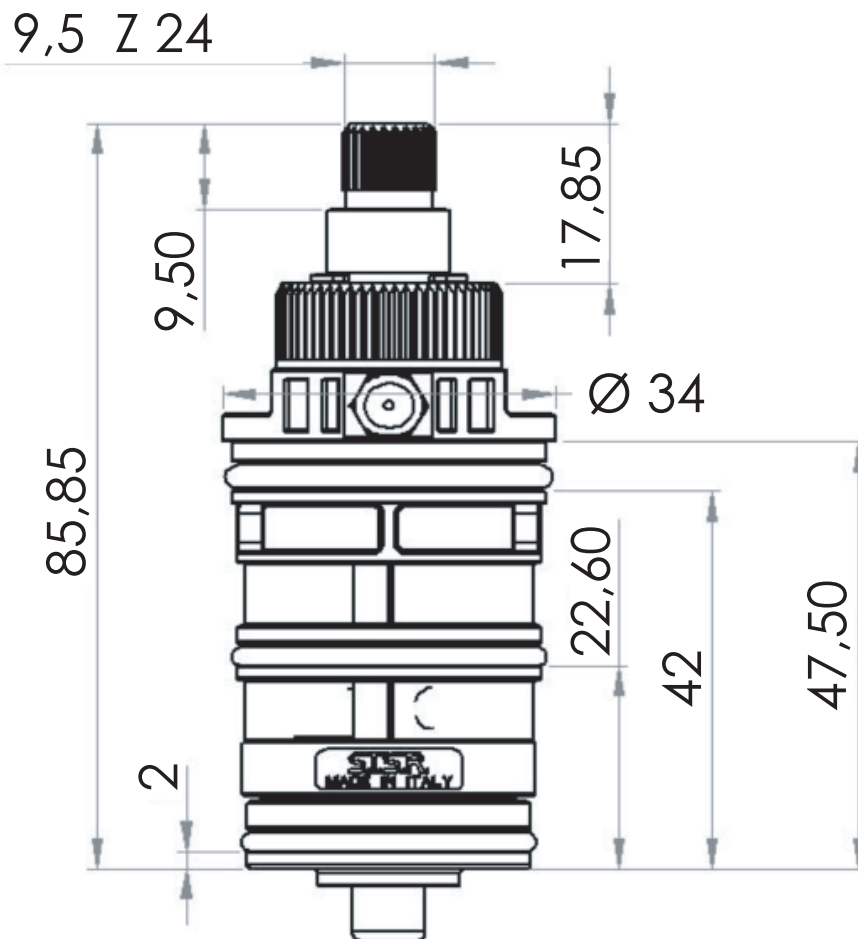
RUBINETTERIE

SCHEDA TECNICA

ART. COD.

TECHNICAL FEATURES

E50P



TEMPERATURA DI LAVORO / WORKING TEMPERATURE = 15°C · 65°C

MATERIALI / MATERIALS

MATERIALI TERMOPLASTICI AD ELEVATA RESISTENZA /
HIGH PERFORMANCE THERMOPLASTIC MATERIALS

Via Leonardo da Vinci 83 - 20062 Cassano d'Adda (MI) Italy - Tel. +39-0363 364211

info@remer.eu www.remer.eu