

# REMER

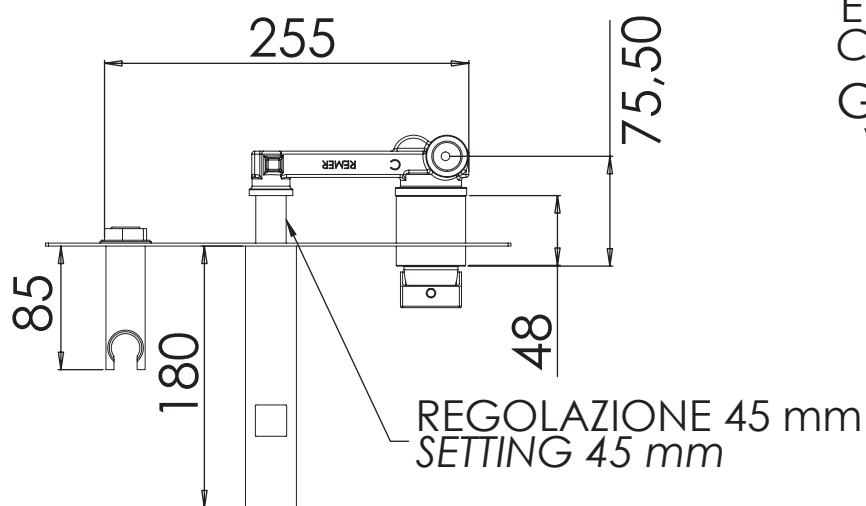
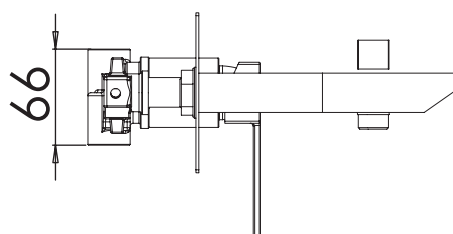
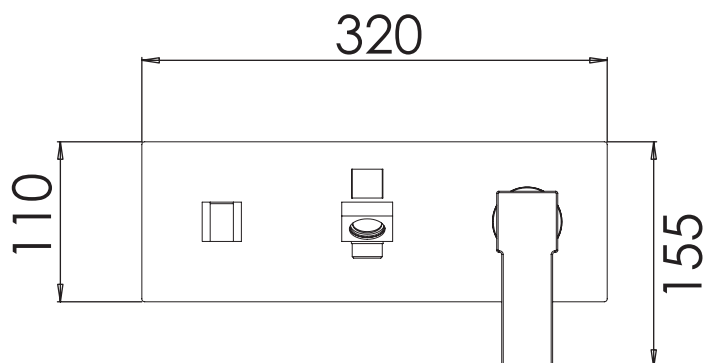
SCHEDA TECNICA

TECHNICAL FEATURES

RUBINETTERIE

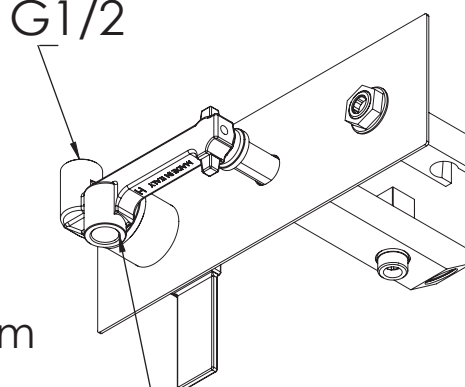
ART. COD.

**Q04**



ENTRATA ACQUA FREDDA  
COLD WATER INLET

G1/2



ENTRATA ACQUA CALDA  
HOT WATER INLET

G1/2

**MATERIALI / MATERIALS**

OTTONE CROMATO / CHROME PLATED BRASS

**CROMATURA / CHROME PLATING**

UNI EN 248

Via Leonardo da Vinci 83 - 20062 Cassano d'Adda (MI) Italy - Tel. +39-0363 364211

[info@remer.eu](mailto:info@remer.eu)

[www.remer.eu](http://www.remer.eu)