

# REMER

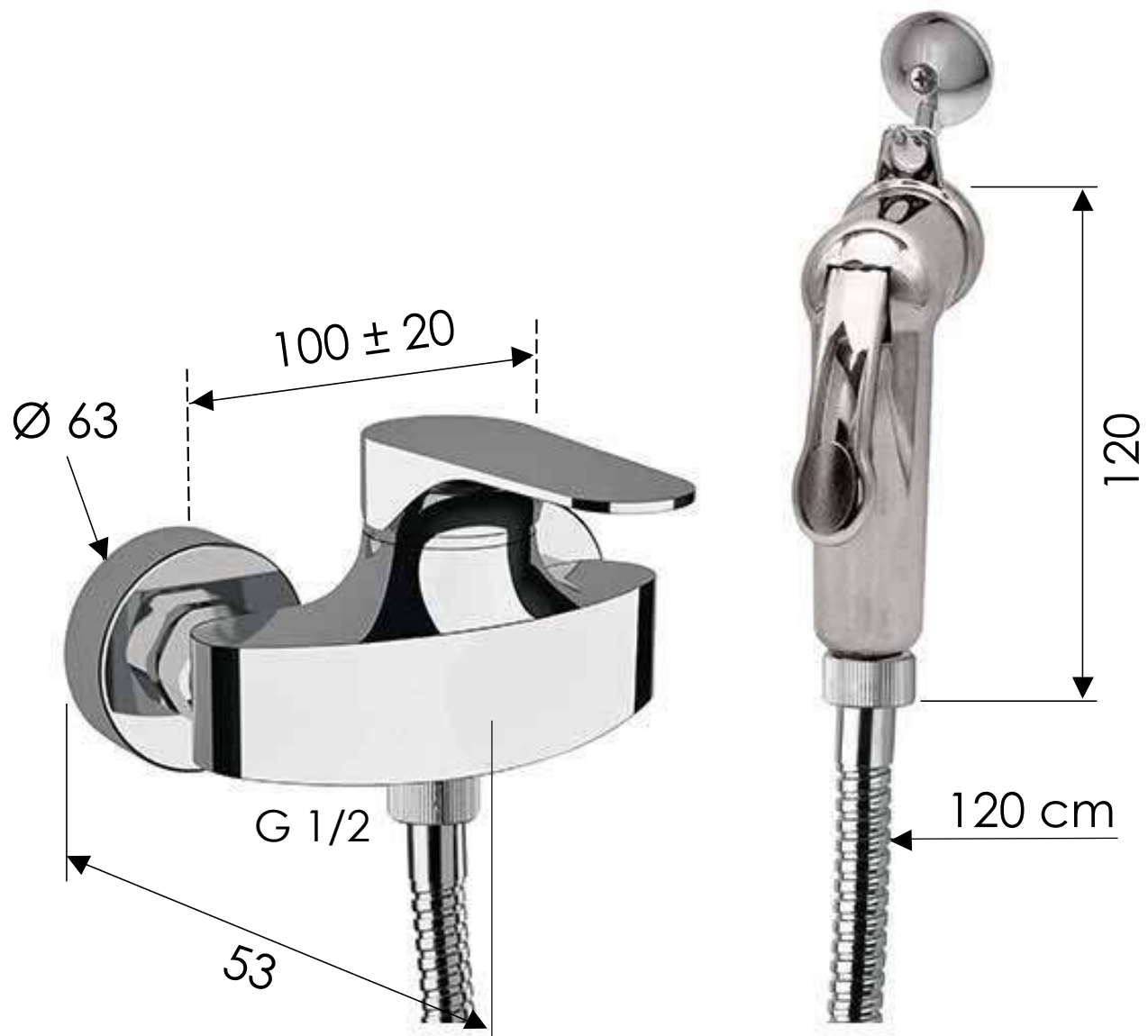
RUBINETTERIE

SCHEDA TECNICA

ART. COD.

TECHNICAL FEATURES

**LC31DP**



## MATERIALI / MATERIALS

OTTONE CROMATO / CHROME PLATED BRASS

ABS CROMATO / CHROME PLATED ABS

## CROMATURA / CHROME PLATING

UNI EN 248

Via Leonardo da Vinci 83 - 20062 Cassano d'Adda (MI) Italy - Tel. +39-0363 364211

[info@remer.eu](mailto:info@remer.eu)

[www.remer.eu](http://www.remer.eu)