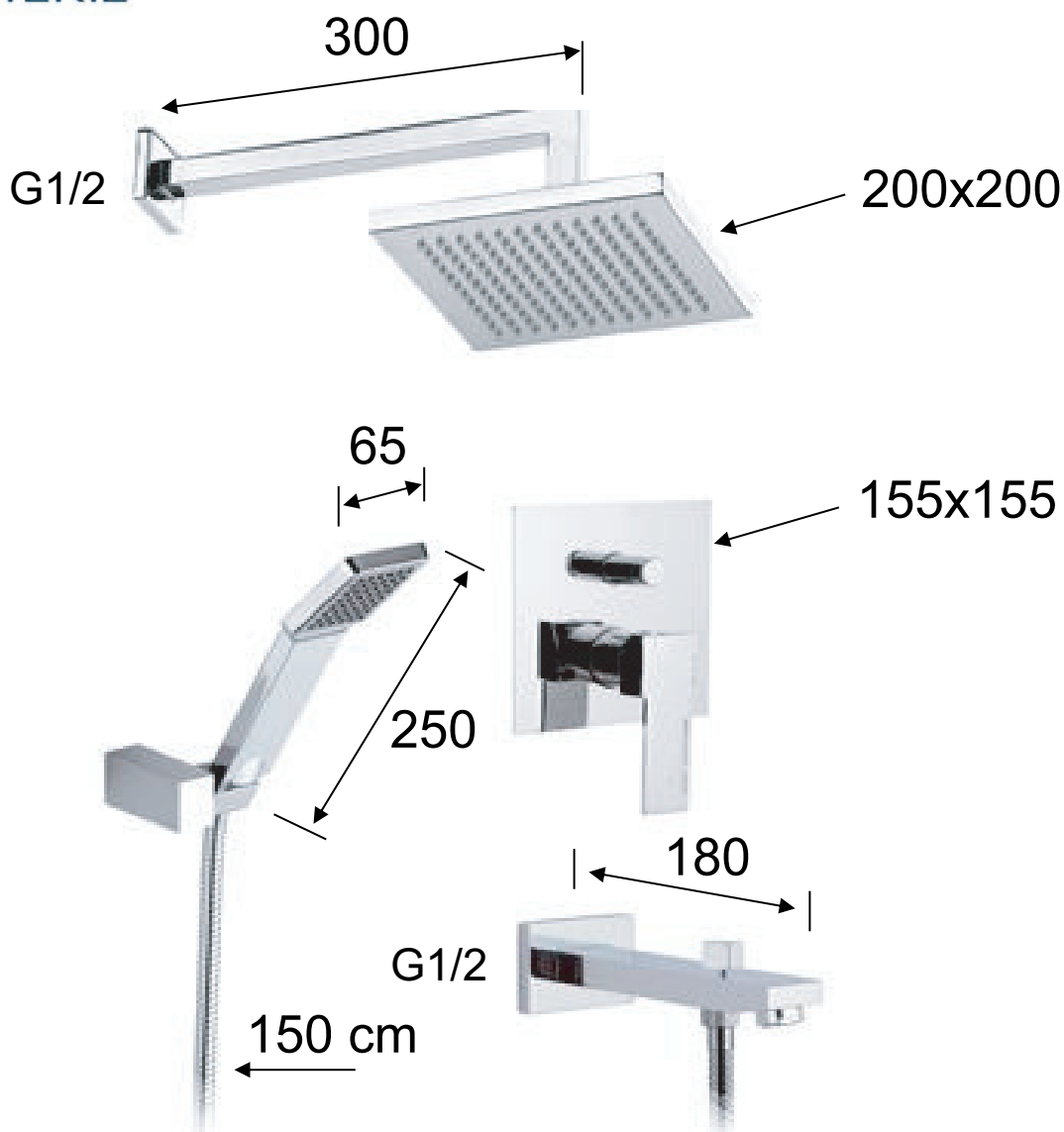


ART. COD.

Q 09 S03



MATERIALI / MATERIALS

OTTONE CROMATO / CHROME PLATED BRASS

ABS CROMATO / CHROME PLATED ABS

CROMATURA / CHROME PLATING

UNI EN 248