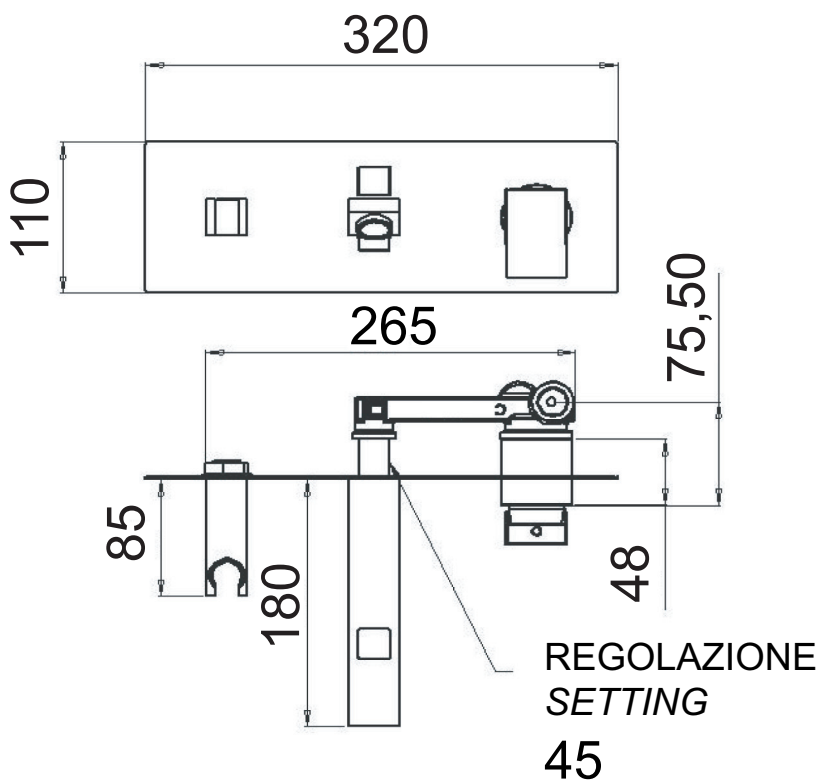
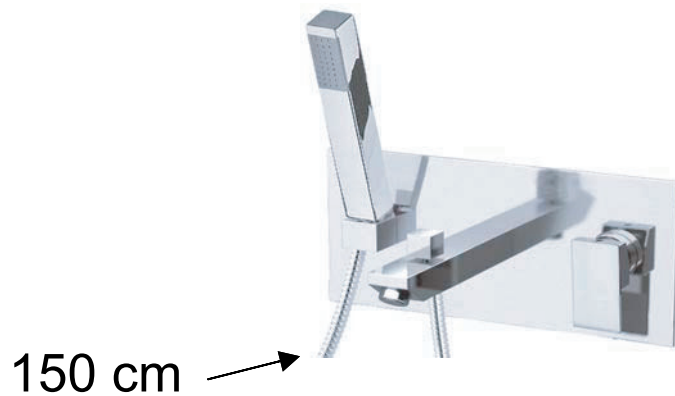
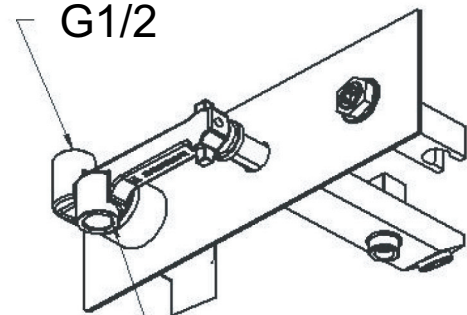


ART. COD.

QD 04



ENTRATA ACQUA FREDDA
COLD WATER INLET
G1/2



ENTRATA
ACQUA CALDA
HOT WATER INLET
G1/2

MATERIALI / MATERIALS

OTTONE CROMATO / CHROME PLATED BRASS

CROMATURA / CHROME PLATING

UNI EN 248

Via Leonardo da Vinci 83 - 20062 Cassano d'Adda (MI) Italy - Tel. +39-0363 364211

info@remer.eu www.remer.eu