

REMER

RUBINETTERIE

SCHEDA TECNICA

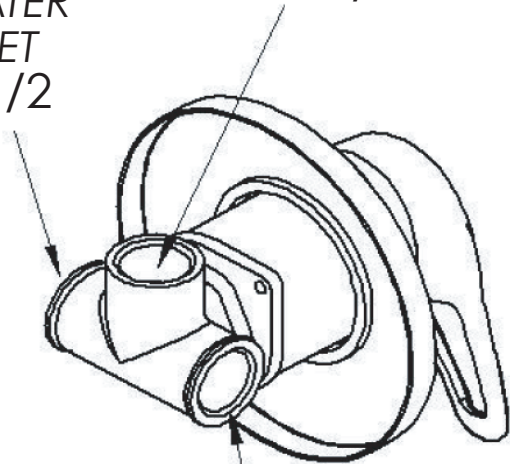
TECHNICAL FEATURES

ART. COD.

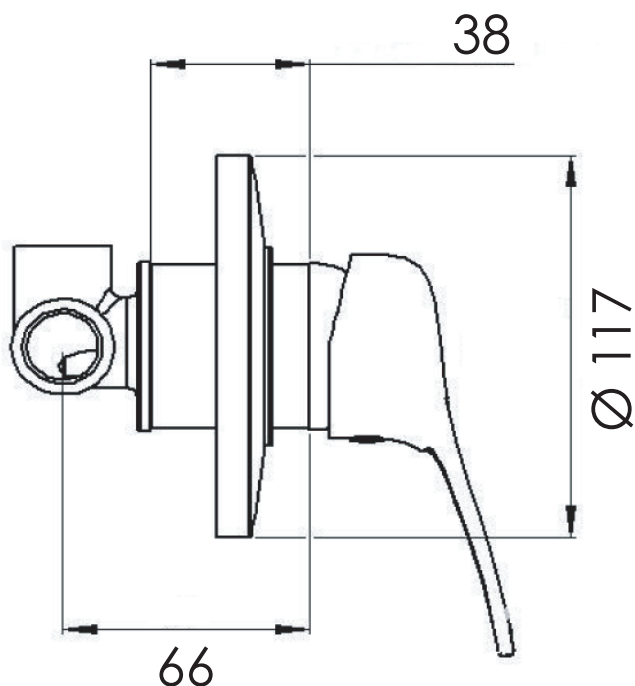
R30

ENTRATA
ACQUA
FREDDA
COLD
WATER
INLET
G1/2

USCITA
DOCCIA
SHOWER
OUTLET
G1/2



ENTRATA ACQUA CALDA
HOT WATER INLET
G1/2



MATERIALI / MATERIALS

OTTONE CROMATO / CHROME PLATED BRASS

CROMATURA / CHROME PLATING

UNI EN 248

Via Leonardo da Vinci 83 - 20062 Cassano d'Adda (MI) Italy - Tel. +39-0363 364211

info@remer.eu www.remer.eu